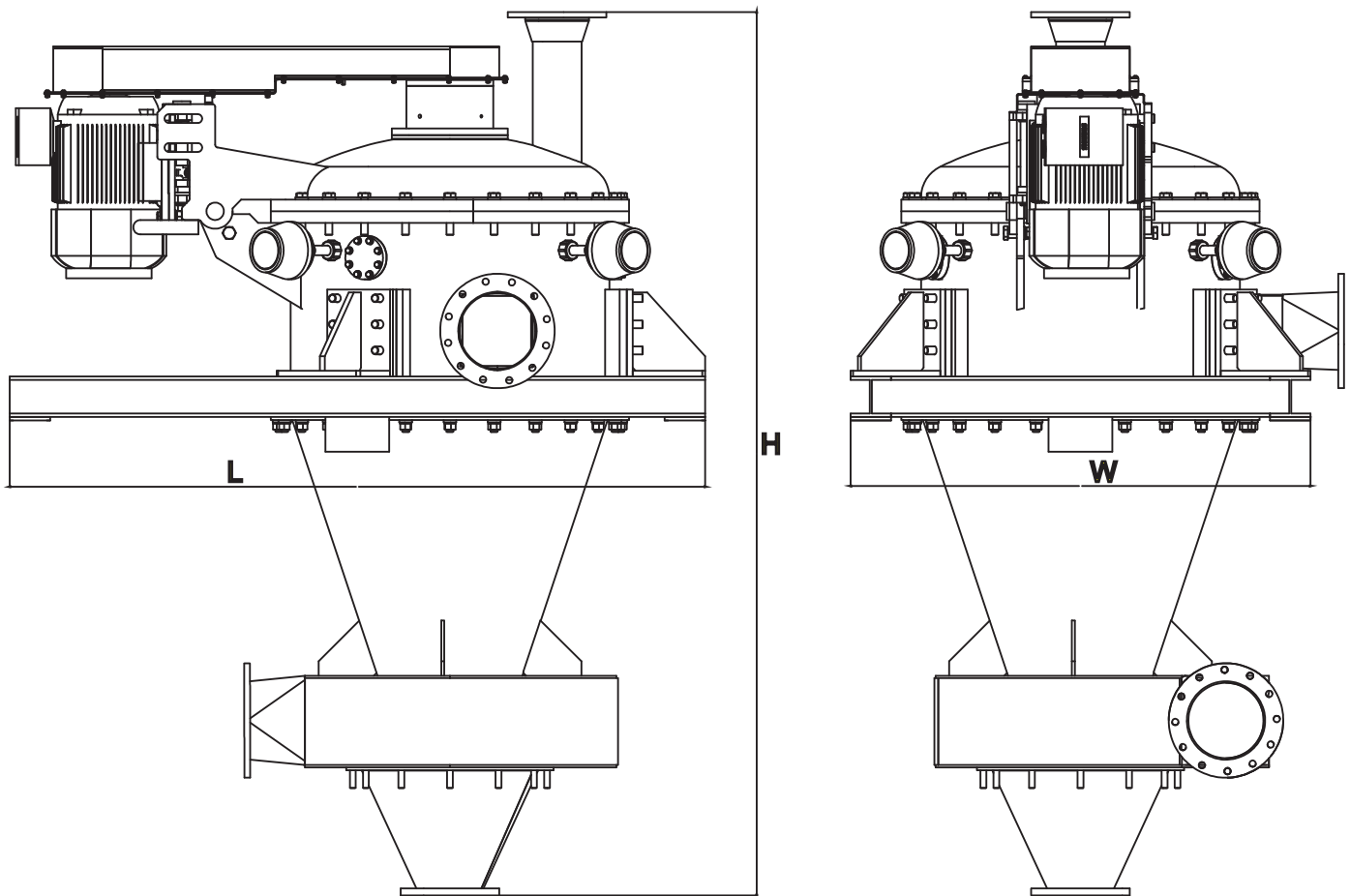


Fine Air Classifier CDC

Models

The CDC fine air classifier is available in 5 sizes with installed power between 4 and 75 kW. An exact comparison of the classifying wheel, air volume, classifying RPM allows a direct comparison of the through entire series. Thus results from one fine classifier can be transferred to all the models.



Technical Data

		CDC 400	CDC 600	CDC 750	CDC 1100	CDC 1600
Scale		0,5	0,55	0,68	1	1,45
Diameter Housing	mm	400	600	750	1100	1600
Diameter Class. Wheel	mm	200	300	375	550	800
Max. RPM Class. Wheel	min-1	7200	5100	3600	3000	1700
Power	kW	4	7,5	15	37	75
Air Flow (Class) min.	Nm ³ /h	450	780	1560	2340	3540
Air Flow (Class) max.	Nm ³ /h	750	1300	2600	3900	5900
Production Capacity min.	kg/h	50	100	190	290	430
Production Capacity max.	kg/h	600	1200	2400	3600	5400
Cut Size D97	um	3 - 150	3 - 150	4 - 200	5 - 200	5 - 200
Length	mm	950	1400	1780	2500	3700
Width	mm	800	900	1100	1600	2300
Height	mm	1170	1700	2140	3050	4450
Weight	kg	1100	1210	1500	2200	3400